

Even an unstable power supply is usable

E-ballast uses 50Hz and 60Hz in common. It also can accept power voltage from 90V to 240V.

Drastic time saving by E-ballast

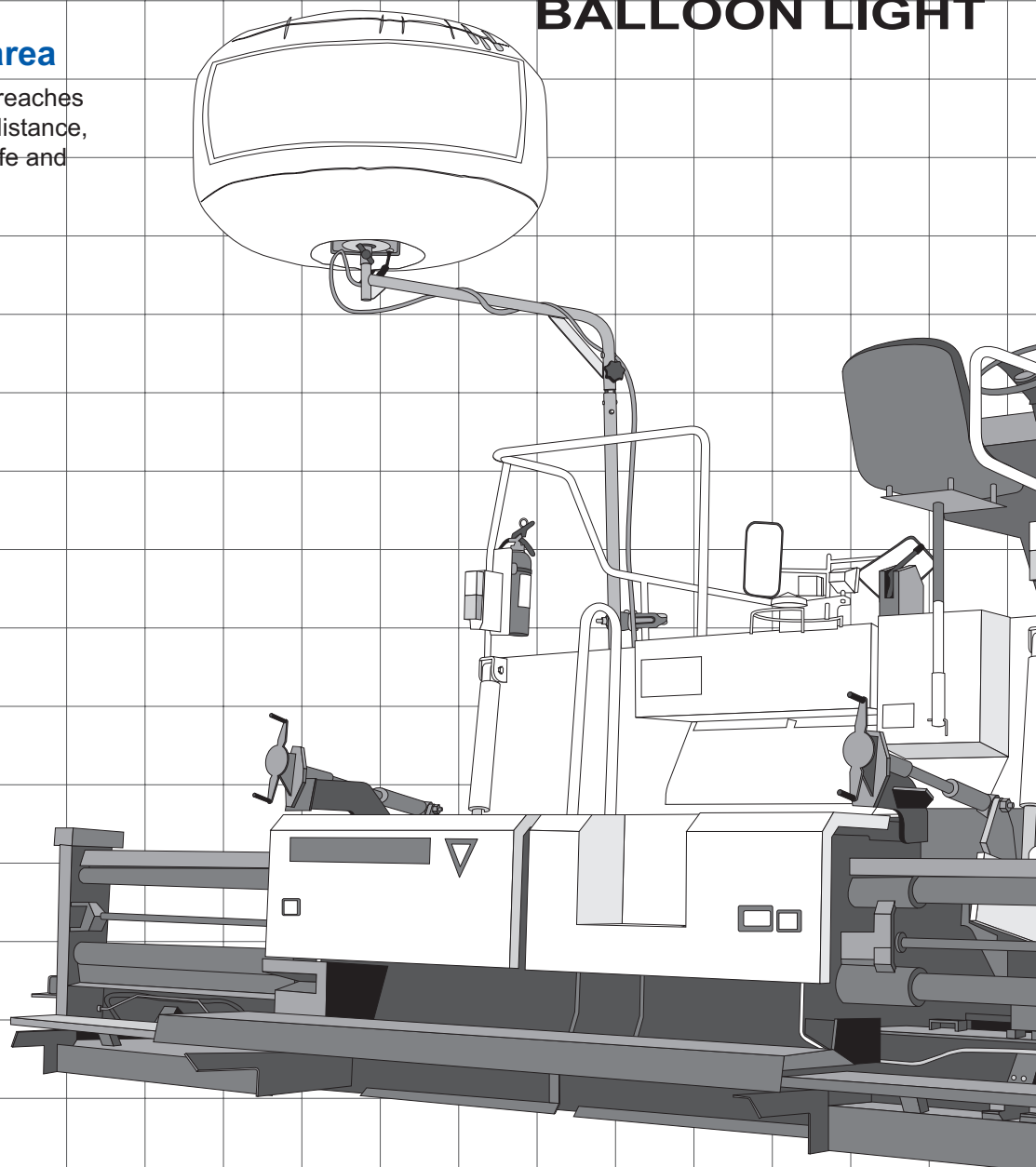
Restrike-time, become shorter 5 to 10min. Normally, the restrike-time takes 15 to 20min by Magnetic ballast.

Illumination for large area

As glare-free light of the balloon reaches over 360 degrees and to a long distance, larger area can be illuminated safe and comfortably.



Metal Halide **1000W** BALLOON LIGHT



1000W

ELB103BS-2EU

Multi-effect & High-efficiency

1000W (ELB103BS-2EU)

Built-in E-ballast

Balloon
9.4kg

+

Poles & Clamps
5.7kg

↓

Total weight
15.1kg

~~17kg~~

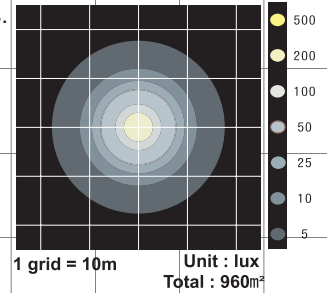
No need the heavy ballast box

■ LARGE LIGHT SOURCE, HIGHLY VISIBLE

Balloon Light is safe for surrounding traffic as large light source is highly visible and seen from afar. The light that forms less darker shadow is also comfortable for the workers.

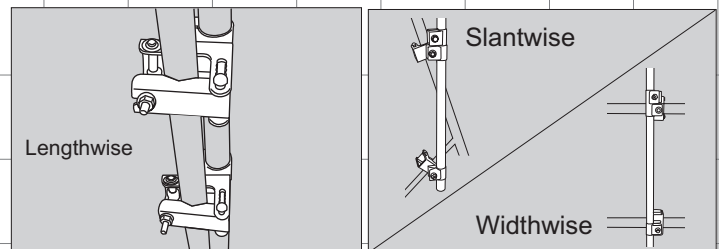
OTHER FEATURES OF BALLOON LIGHT

- Glare-free lighting for safety driving
- 360° illumination without blind spot
- High-efficiency Metal halide lamp
- Wide area illumination
- Message strip for attention (option)



■ WIDELY UTILIZED OF FLEXIBLE CLAMPS

It is possible to install to varied pipes at any angle with flexible clamps.



* The diameter of available pipe is 25mm~45mm

■ HIGH-EFFICIENCY FOR WORKERS

The balloon light also moves along with the construction machine and the sustained lighting improves the working efficiency.

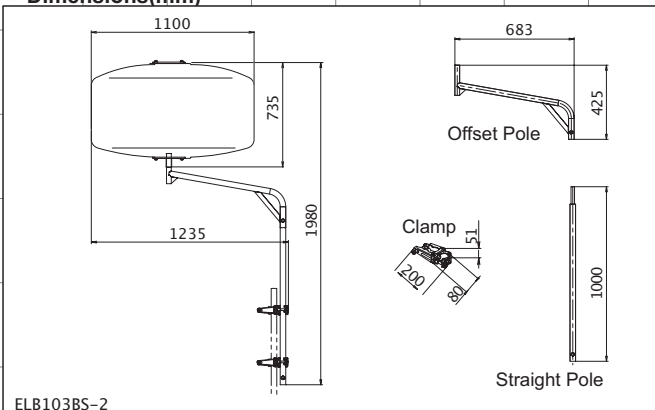


The eyes of drivers are never blinded by glare. It gives enough light to the work area but no unpleasantness to the surrounding traffic.

■ INPUT FREQUENCY

The Magnetic ballast changes with 50Hz or 60Hz by an area, but the E-ballast uses 50Hz and 60Hz in common. And E-ballast can be used in almost every country, it can accept power voltage from 90V to 240V.

■ Dimensions(mm)



■ Specification

Model		ELB103BS-2EU	
Lighting Tower	Rated Voltage	V	90 to 130 , 170 to 240
	Current	A	Less than 4.9(Operating 230V) 4.9(Operating 230V)
Lamp	Type		Metal Halide
	Wattage x No. of lamp	W	1,000 x 1
Dimension (LxWxH)	Total Luminous Flux	lm	110,000
	Balloon		Working Dia 1100 Height 735 (Balloon cloth Dia 1200 Height 650)
	Working	mm	1235 x 1100 x 1980
	Balloon-stages		200 X 220 X 735
	Straight pole		1000
Weight	Offset pole		683 x 425
	Balloon	kg	9.4
	Straight pole		2.1
	Offset pole		2
	Clamps		1.60.8 x 2
	Total		15.1
Appropriate Generator		Output: 1.2kW and more	