

APH 5020

HYDROSTATIC VIBRATORY PLATE



A TRUSTED COMPACTOR

The Ammann APH 5020 hydrostatic vibratory plate features a two-shaft exciter system that assures powerful compaction forces. This machine is highly reliable and trusted in the marketplace because of its robust design and long component life. APH 5020 is the smallest machine within the APH range and weighs in at 367 kg. It can be operated easily and comfortably, even in tight areas, and works well around obstacles such as columns and in cohesive materials.

INDUSTRY LEADER

- Twin-shaft exciter system overcomes grades between 30 % and 35 %.
- Ammann hydraulic plate compactors are the strongest machines in their class
- The hydraulic pump enables smooth direction changes.

OPTIONAL TECHNOLOGY

- ACE^{econ} continuously measures and monitors the compaction level

INNOVATIVE HANDLE

- Unique orbital system delivers great control with minimal effort.
- Vibration-isolated to reduce stress on the operator.
- Optional with dead-mans-handle, a sensitive hand guide that stops the machine immediately when the operator loses its grip.

TWO-SHAFT EXCITER UNIT

- Positioning of the exciter shafts enables the operator to easily change directions of the plate.
- Smooth variable hydrostatic unit allows machine to move easily in forward and reverse.
- Hovering and "on-the-spot" vibration can be utilised in particularly challenging areas.

DURABLE, EASY TO MAINTAIN

- Best in class in servivability thanks to wide opening service hoods.
- Service-friendly exciter unit with long lifetime.
- Wear-resistant, self-cleaning base plate.
- Sturdy protection frame with central lifting point.
- Low maintenance costs because of fully hydrostatic drive and vibration

APPLICATIONS

- Soil / earthwork
- Set paved roads / paving stones
- Trench work
- Road construction
- Foundation work
- Civil engineering
- Landscaping

TECHNICAL SPECIFICATIONS
APH 5020 HYDROSTATIC VIBRATORY PLATE

WEIGHT & DIMENSIONS

MACHINE WEIGHT BASIC UNIT	367 kg (807 lb)
WITH EXTENSION PLATES 75 MM	388 kg (805 lb)
WITH EXTENSION PLATES 150 MM	400 kg (882 lb)
A BASE PLATE LENGTH	450 mm (17.7 in)
B MACHINE LENGTH	900 mm (35.4 in)
C WITH HANDLE	1600 mm (63.0 in)
D MACHINE HEIGHT	775 mm (30.5 in)
E HANDLE HEIGHT (WORK)	1000 mm (42 in)
F HANDLE HEIGHT (TRANSPORT)	1380 mm (54.3 in)
G MACHINE WIDTH	450 mm (17.7 in)
WITH EXTENSION PLATES	600/750 mm (23.6/29.5 in)

ENGINE

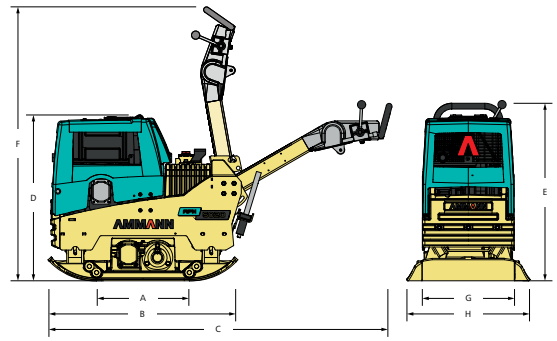
ENGINE	Hatz Supra 1D50S
FUEL	Diesel
ENGINE OUTPUT	9.5 HP / 7 kW
AT RPM	3100 rpm
FUEL CONSUMPTION	1.7 l/h (0.4 gal/h)

COMPACTION FORCES

MAX. VIBRATION FREQUENCY	65 Hz (3900 vpm)
MAX. CENTRIFUGAL FORCE	50 kN
WORKING SURFACE BASIC UNIT	594 m ² /h (1399 ft ² /h)
WITH EXTENSIONS	792/990 m ² /h (1830/2260 ft ² /h)
MAX. COMPACTION DEPTH (DEPENDING ON GROUND CONDITIONS)	70 cm (28 in)

MISCELLANEOUS

OPERATING SPEED	22 m/min (1 mph)
TANK CAPACITY	5 l (1.1 gal)
GRADEABILITY	36 %
MAX. INCLINE TO ALL SIDES	30 °



STANDARD EQUIPMENT

- Control handle bar, ergonomically adjustable and lockable
- Orbitrol system providing optimal drive control
- Protective casing: Protects functional components against dirt and damage, offers easy accessibility for service
- Powerful, air cooled and silenced hatz diesel engines with oil alert system and low emission values
- Hydrostatic driven 2-shaft exciter system
- 3 year extended warranty program

OPTIONAL EQUIPMENT

- Extension plates
- Operation hour meter
- Electric starter and emergency stop
- Compaction control system ACE^{eco}
- Dead mans handle with electronic sensors

For additional product information and services please visit:
www.ammann-group.com

Specifications are subject to change.
MSS-1059-00-EN | © Ammann Group

AMMANN