



APH 6020

HYDROSTATIC VIBRATORY PLATE

TRUSTED AND RELIABLE

Weighing in at 482 kg, the APH 6020 features a twin-shaft exciter system with the efficient and powerful compaction it brings. The machine is highly reliable and trusted in the marketplace because of its robust design and long component life. The plates can be operated easily and comfortably, even in tight areas, and work well around obstacles such as columns and in cohesive materials. The machine also is smooth when changing directions.

INDUSTRY LEADER

- Twin-shaft exciter system overcomes grades between 30 % and 35 %.
- Ammann hydraulic plate compactors are the strongest machines in their class
- The hydraulic pump enables smooth direction changes.

OPTIONAL TECHNOLOGY

- ACE^{econ} continuously measures and monitors the compaction level.

INNOVATIVE HANDLE

- Unique orbital system delivers great control with minimal effort.
- Vibration-isolated to reduce stress on the operator.

TWO-SHAFT EXCITER UNIT

- Positioning of the exciter shafts enables the operator to easily change directions of the plate.
- Smooth variable hydrostatic unit allows machine to move easily in forward and reverse.
- Hovering and “on-the-spot” vibration can be utilised in particularly challenging areas.

DURABLE, EASY TO MAINTAIN

- Best in class in servability thanks to wide opening service hoods.
- Service-friendly exciter unit with long lifetime.
- Wear-resistant, self-cleaning base plate.
- Sturdy protection frame for engine protection and central lifting point.
- Low maintenance costs because of fully hydrostatic drive and vibration.

APPLICATIONS

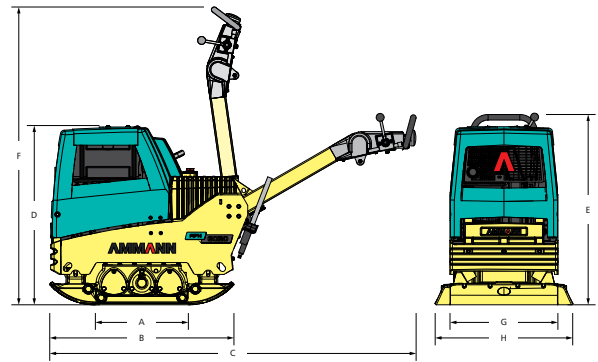
- Soil / earthwork
- Set paved roads / paving stones
- Trench work
- Road construction
- Foundation work
- Civil engineering
- Landscaping

AMMANN

TECHNICAL SPECIFICATIONS
APH 6020 HYDROSTATIC VIBRATORY PLATE

WEIGHT & DIMENSIONS

MACHINE WEIGHT BASIC UNIT	482 kg (1060 lb)
WITH EXTENSION PLATES 75 MM	506 kg (1116 lb)
WITH EXTENSION PLATES 150 MM	518 kg (1142lb)
A BASE PLATE LENGTH	470 mm (18.5 in)
B MACHINE LENGTH	930 mm (36.6 in)
C WITH HANDLE	1840 mm (72.4 in)
D MACHINE HEIGHT	870 mm (34.3 in)
E HANDLE HEIGHT (WORK)	1000 mm (42 in)
F HANDLE HEIGHT (TRANSPORT)	1500 mm (59.1 in)
G MACHINE WIDTH	550 mm (21.7 in)
WITH EXTENSION PLATES	700/850 mm (27.6/33.5 in)



ENGINE

ENGINE	Hatz Supra 1D81S
FUEL	Diesel
ENGINE OUTPUT	13.7 HP / 10 kW
AT RPM	3000 rpm
FUEL CONSUMPTION	2.5 l/h (0.6 gal/h)

COMPACTION FORCES

MAX. VIBRATION FREQUENCY	69 Hz (4140 vpm)
MAX. CENTRIFUGAL FORCE	60 kN
WORKING SURFACE BASIC UNIT	925 m ² /h (1991 ft ² /h)
WITH EXTENSIONS	1260/1430 m ² /h (2712/3078 ft ² /h)
MAX. COMPACTION DEPTH (DEPENDING ON GROUND CONDITIONS)	80 cm (31 in)

MISCELLANEOUS

OPERATING SPEED	28 m/min (1 mph)
TANK CAPACITY	5 l (1.1 gal)
GRADEABILITY	36 %
MAX. INCLINE TO ALL SIDES	30 °



STANDARD EQUIPMENT

- Control handle bar, ergonomically adjustable and lockable
- Orbitrol system providing optimal drive control
- Protective casing: Protects functional components against dirt and damage, offers easy accessibility for service
- Powerful, air cooled and silenced hatz diesel engines with oil alert system and low emission values
- Hydrostatic driven 2-shaft exciter system
- 3 year extended warranty program

OPTIONAL EQUIPMENT

- Extension plates
- Operation hour meter
- Electric starter and emergency stop
- Compaction control system ACE^{eco}
- Emergency stop at the end of the handle for highest operator safety

For additional product information and services please visit:
www.ammann-group.com

Specifications are subject to change.

MSS-1060-01-EN | © Ammann Group | Images: © www.fotopizza.com

AMMANN